



# SINGLE CELL CASEPACKER

*"The most affordable Top Load Servo Case Packer in the market"*



## NCP-25

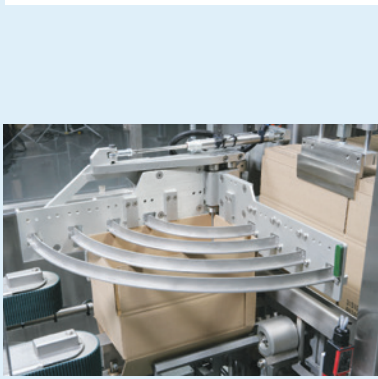
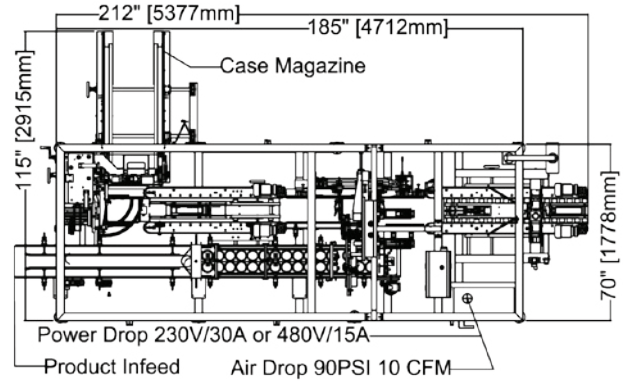
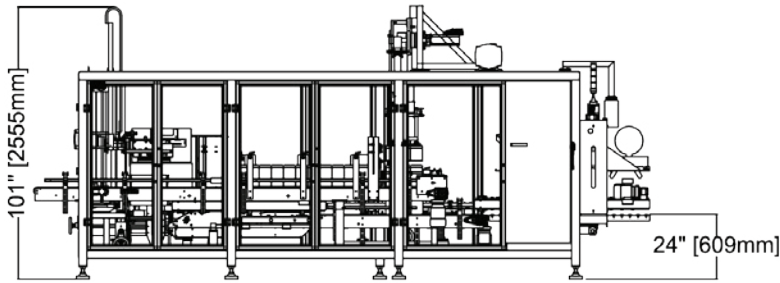
### MAIN FEATURES

- 3 in 1 single cell technology - erect, load, and seal on one frame
- DELTA Style 2 axis robot - maintenance free design
- High speed top load up to 25 cases per minute
- Heavy Payload capability, up to 100lbs
- Tape or Glue Case Compatible
- Tool-less changeover - under 15 minutes
- Smallest industry footprint
- Stainless Steel Frame STANDARD
- Washdown Available



# NCP-25 SINGLE CELL CASEPACKER

*"The most affordable Top Load Servo Case Packer in the market"*



## SPECIFICATIONS:

DRIVE:	AC Motors (Case and product transfer), Servo Drives ("Delta" Loader)
SPEED:	Up to 25 cases per minute
PRODUCT SIZE RANGE:	Per Project Specification
CASE SIZE RANGE:	Length: 6" (152mm) - 24" (610mm) Width: 5" (127mm) - 16" (406mm) Height: 4" (100mm) - 16" (406mm)
ADJUSTMENTS:	Threaded screws, hand wheels and hand knobs with position pointers and scales
CASE SEALING:	Two Tape Heads (2" or 3" tape) or "Nordson" Glue system
MAGAZINE CAPACITY:	4 ft. (~150 cases)
FRAME:	Stainless Steel construction
GUARDING:	Full length polycarbonate with extruded anodized aluminum frames
FINISH:	All parts in contact with product are stainless steel, anodized aluminum or plastic
ELECTRICAL:	Bosch Rexroth, Allen Bradley, Omron Touch screen HMI NEMA 12 wiring and enclosures 3-Color stackable warning lights
PNEUMATICS:	"FESTO"
INSTALLATION REQUIREMENTS:	Power: 230 VAC/30 Amps. or 480 VAC/15 Amps. 3 phase, 50/60 Hz Air: 90 PSI, 10 cfm.



400 Steeprock Drive, Toronto  
Ontario, Canada, M3J 2X1  
Tel: (416) 663 7071  
www.nuspark.com

**Distributed by**